

# Rhinotek

ENTRANCE SOLUTIONS

## Rhino 4000XL

POWERED BY **GILGEN**  
DOOR SYSTEMS

2023



# The New Heavy Duty

POWERED BY **GILGEN**  
DOOR SYSTEMS



## The New Rhino 4000XL

This Non-Handed silent electromechanical drive mechanism powered by Gilgen is suitable for both lightweight internal and heavyweight external doors with high wind loads and heavy footfall. The high-performance drive mechanism is vandal-resistant, making it suitable for any location. Adjusts to stack pressure on strike to release tension on strike. Adapts to wind on open and/or close, motor will increase according to wind conditions. Internal built-in display for diagnostics.

## Product Highlight

- **Non-Handed**
- **Single & bi-parting doors**
- **Various installation options**
- **Low-energy mode**
- **Simple to fit**
- **High wind resistance**
- **Simple Commissioning**

# Rhino 4000XL

POWERED BY **GILGEN**  
DOOR SYSTEMS



The updated heavy-duty operator for applications which require more power and heavier wear. Built to last.

**Single, Dual and Dual Egress Options Available.**

## Product Information

Stock : Rhino 4000XL

Overall : xx IB

Dimensions : 6 1/4" H X 39.5" or 51" W X 4.5" D  
Custom lengths available

Product Color : ■ ■  
Custom colours available

## Design and Function

Max door leaf weight: 550 lbs

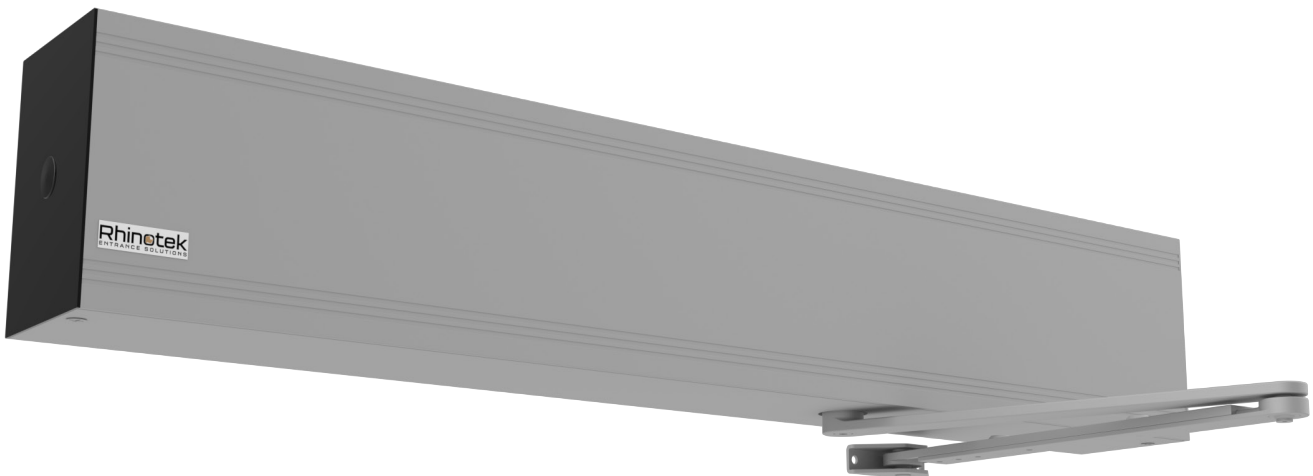
Door sizes Single: 30" - 55"

Door sizes Dual: 60" - 110"

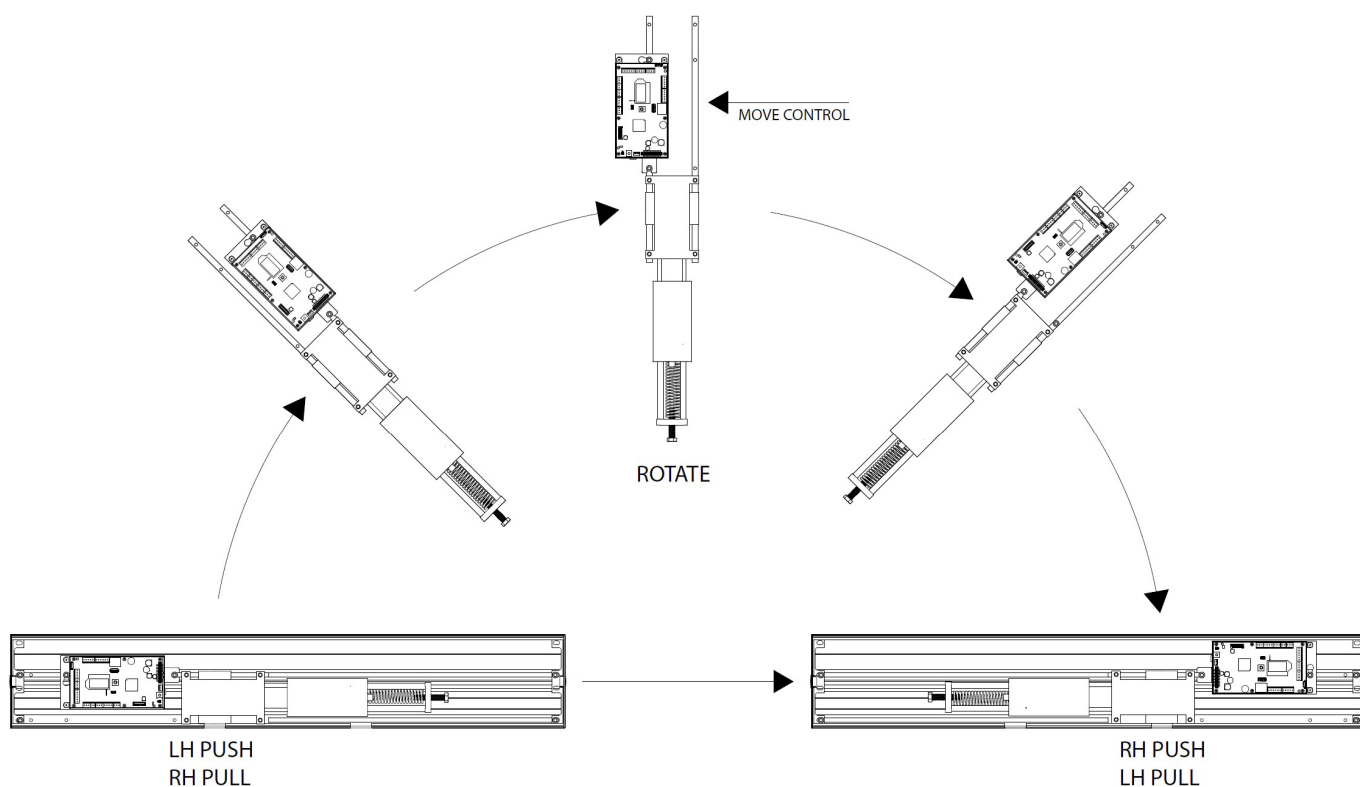
Opening Speed: 2.4 - 20 s adjustable

Closing Speed: 2.4 - 20 s adjustable

Standards: EN 16005, DIN 18650,  
BS EN 1634-1, EN 1154,  
EN 1158, DIN 18263-4,  
NF 61-937-8: 2010-10, ULC

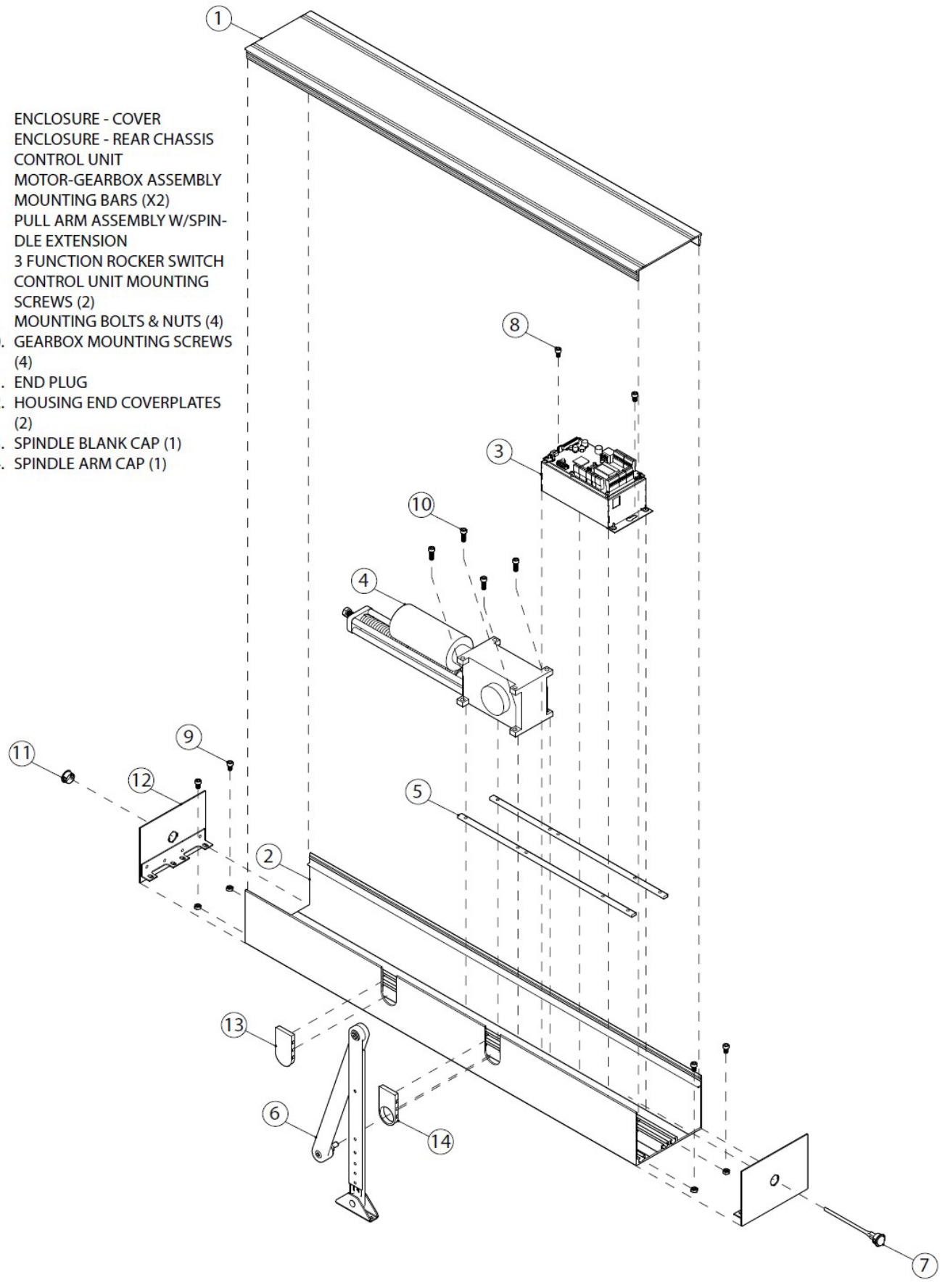


# Innovative Design



**Two Handing Configurations in One!**

1. ENCLOSURE - COVER
2. ENCLOSURE - REAR CHASSIS
3. CONTROL UNIT
4. MOTOR-GEARBOX ASSEMBLY
5. MOUNTING BARS (X2)
6. PULL ARM ASSEMBLY W/SPINDLE EXTENSION
7. 3 FUNCTION ROCKER SWITCH
8. CONTROL UNIT MOUNTING SCREWS (2)
9. MOUNTING BOLTS & NUTS (4)
10. GEARBOX MOUNTING SCREWS (4)
11. END PLUG
12. HOUSING END COVERPLATES (2)
13. SPINDLE BLANK CAP (1)
14. SPINDLE ARM CAP (1)



# Component Diagram

# Installation options



**Pull Application**



**Push Application**



# Rhino 4000XL

POWERED BY **GILGEN**  
DOOR SYSTEMS

## Full Features:

- Heavy duty up to 550lbs
- Non handed unit
- Built-in power assist
- Adaptive smart control
- Silent operation
- Adjustable force on open/close
- No cams! (Use of encoder)
- Adjustable spring tension
- Control can be locked out with code
- 2 doors can be made as airlock
- Internal LED display built-in
- Displays history errors
- Displays active errors
- Shows total number of cycles
- ULC listed
- 2 Year warranty

## Get In Touch

1-866-407-9325

[info@rhinoteksolutions.com](mailto:info@rhinoteksolutions.com)

[www.rhinoteksolutions.com](http://www.rhinoteksolutions.com)



# Rhinotek

ENTRANCE SOLUTIONS