

TOLL FREE: 1-866-407-9325
www.rhinoteksolutions.com

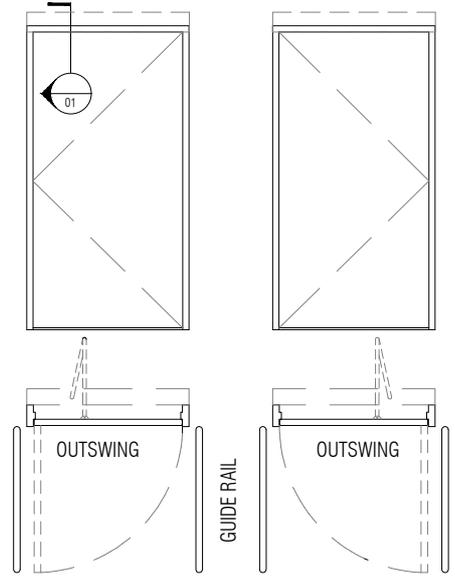
POWER SWING DOOR OPERATORS
RHINO ADO 4000XL SERIES SURFACE APPLIED SINGLE
INSWING & OUTSWING WITH FULL FRONT ACCESS

STANDARD PACKAGES

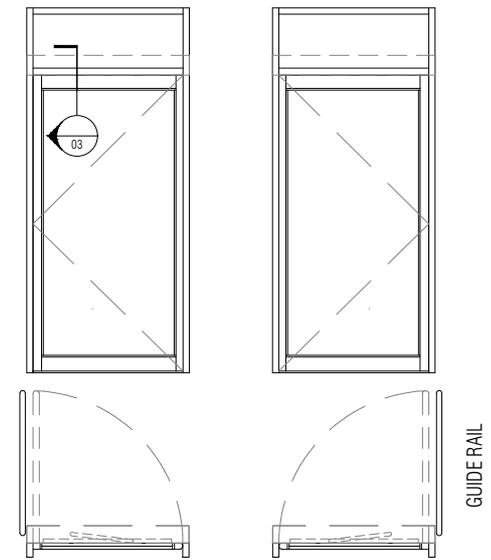
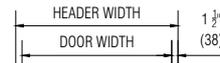
SINGLE UNITS TYPES: LHR, RHR, LH, RH	
DOOR WIDTH	HEADER WIDTH
3'-0" (914)	3'-3" (991)
36" (1067)	3'9" (1143)
ANODIZED FINISH (CLEAR) OR DARK BRONZE	

STANDARD PACKAGES

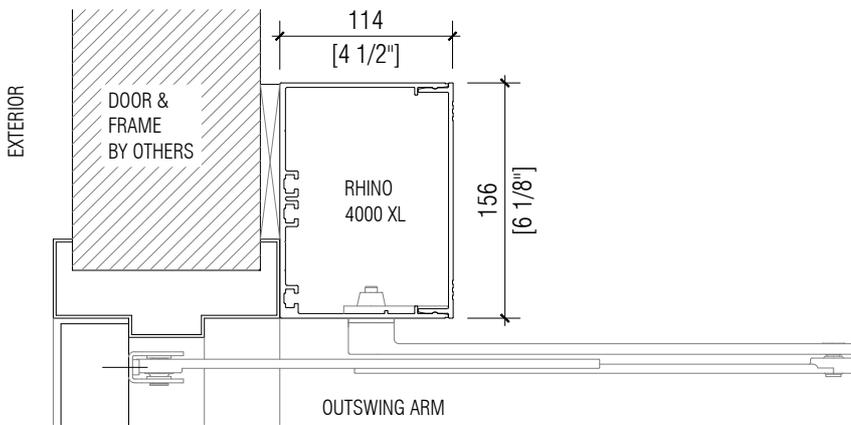
- SWING DOOR HEADER SURFACE IS MOUNTED ONTO THE FRAME AND CONNECTING ARM ASSEMBLY IS MOUNTED TO THE FACE OF THE DOOR PANEL. FRAME AND DOOR PANEL TO BE PROVIDED BY OTHERS.
- ELECTRICAL: PROVIDE 120VAC, 60 CYCLE, SINGLE PHASE, 15 AMP SERVICE (IN CONDUIT) TO EACH SWING DOOR UNIT ON A DEDICATED 20 AMP CIRCUIT BREAKER ROUTED INTO A HEADER. MAXIMUM CURRENT DRAW IS 3.15AMPS.
- FOR 1-WAY TRAFFIC UNIT TO BE ACTUATED BY SENSOR SYSTEM
- FOR 2-WAY TRAFFIC, LOW ENERGY: UNIT TO BE ACTUATED BY PUSH BUTTON OR PUSH PLATE



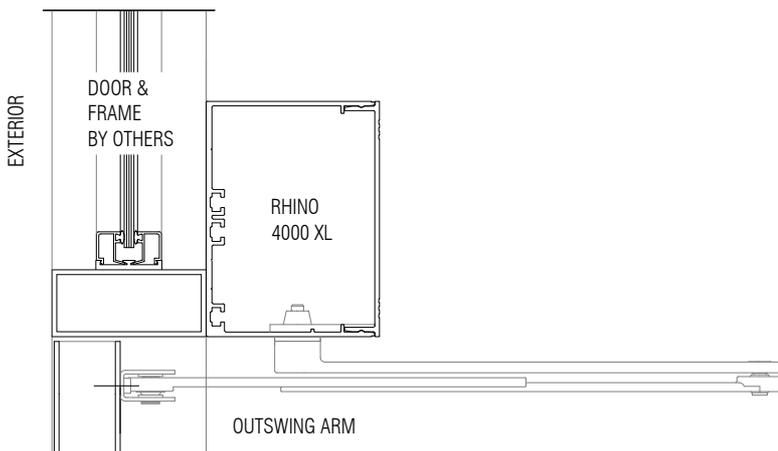
SINGLE UNITS
FLOOR PLANS WITH ELEVATIONS
LHR & RHR SHOWN



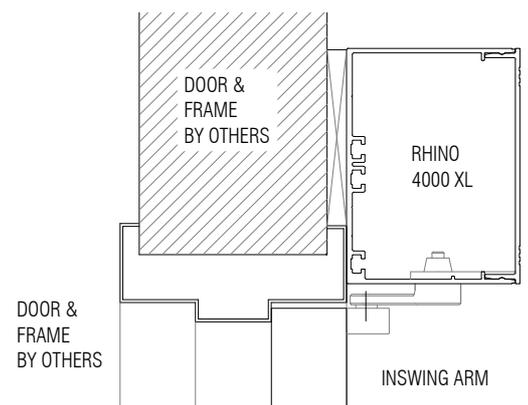
SINGLE UNITS
FLOOR PLANS WITH ELEVATIONS
LH & RH SHOWN



01 VERTICAL SECTION - OUTSWING
SCALE: 1:5



02 VERTICAL SECTION - OUTSWING
SCALE: 1:5



03 VERTICAL SECTION - INSWING
SCALE: 1:5