

#### RHINO ADO 4800 Series Surface Applied

Single & Pair, Inswing & Outswing with bottom access

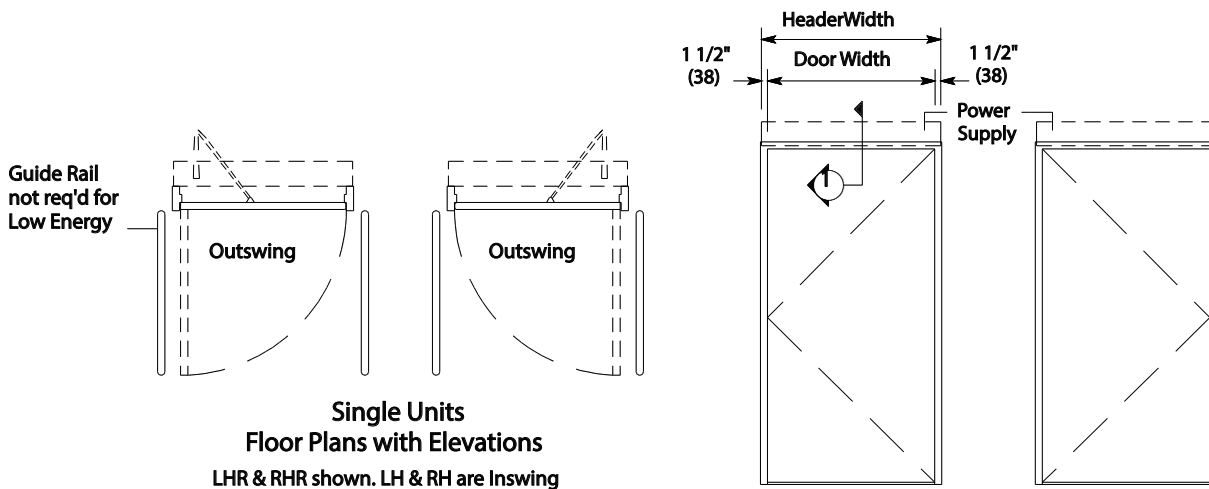
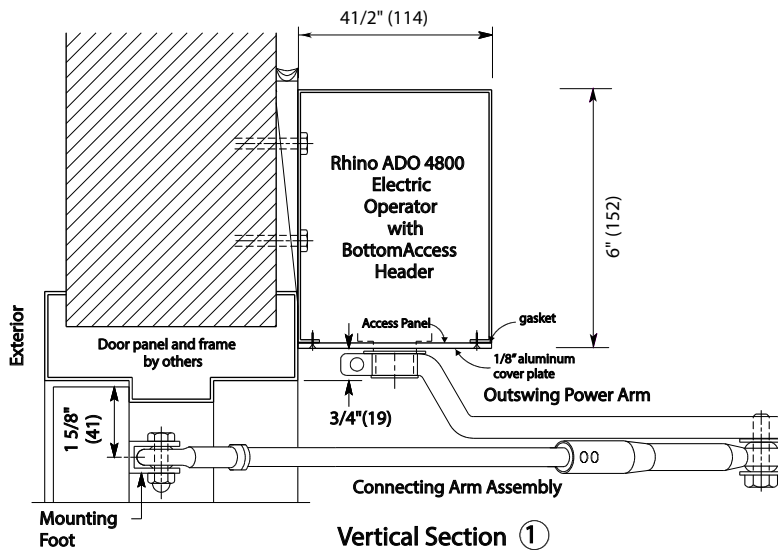
2015

#### Standard Packages

Single Units Types: LH, RH, LHR, RHR		Pair Units Types: LH-RH, LHR-RHR	
Door Width	Header Width	Door Pair Width	Header Width
3'-0" (914)	3'-3" (991)	5'-0" (1524)	5'-3" (1600)
3'-6" (1067)	3'-9" (1143)	6'-0" (1829)	6'-3" (1905)
		7'-0" (2133)	7'-3" (2210)
Anodized Finish: Clear or Dark Bronze			

#### Installation and Operation

- Swing door header is surface mounted onto frame and connecting arm assembly is mounted to face of door panel. Frame and door panel to be provided by others.
- Electrical: Provide 120VAC, 60cycle, singlephase, 15 amp service (in conduit) to each swing door unit on a dedicated 20 amp circuit breaker routed into header. Maximum current draw is 3.15 amps.
- For 1-way traffic: Unit to be actuated by Sensor System  
 For 2-way traffic, Low Energy: Unit to be actuated by push button or push plate



367 Bering Ave. Toronto, Ontario, M8Z 3B1  
 Toll Free: 1-866-407-9325  
 www.rhinoteksolutions.com

### RHINO ADO 4800 Concealed (OHC) Overhead Concealed Door Packages Single Units with Direct Drive

2015

#### Standard Packages

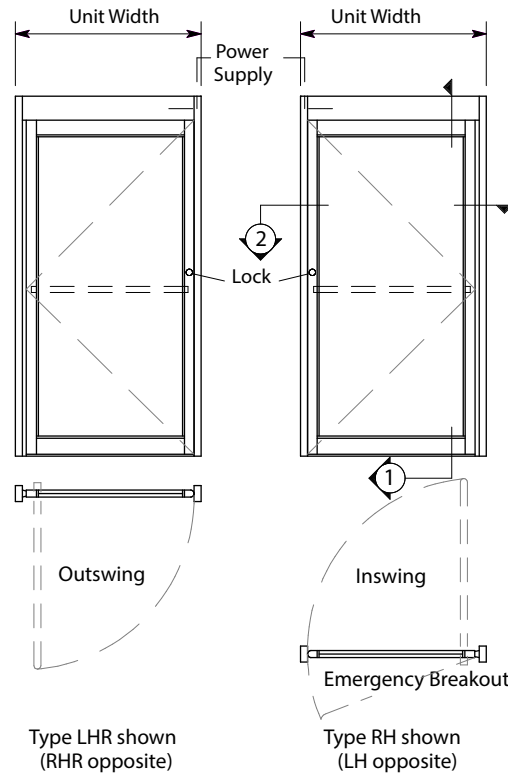
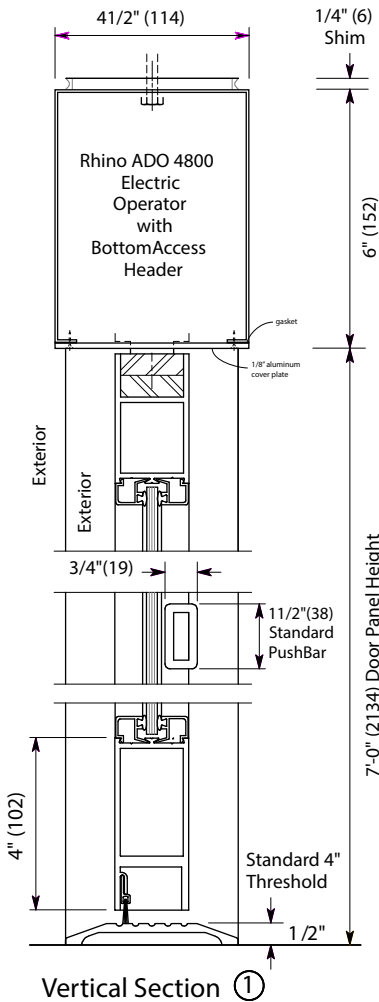
Door Width	Frame Opening Width	Unit Width	Rough Opening Width	Single Units Types:
3'-0" (914)	3'-1" (940)	3'-4 1/2" (1029)	3'-5" (1041)	
3'-6" (1067)	3'-7" (1092)	3'-10 1/2" (432)	3'-11" (1194)	
Unit Height: 7'-6" (2286), Rough Opening Height: 7'-6 1/4" (2292) Glazing: Standard unit prep'd for 1/4" (6) glass. Glass provided by others				Anodized Finish: Clear or Dark Bronze

#### Installation and Operation

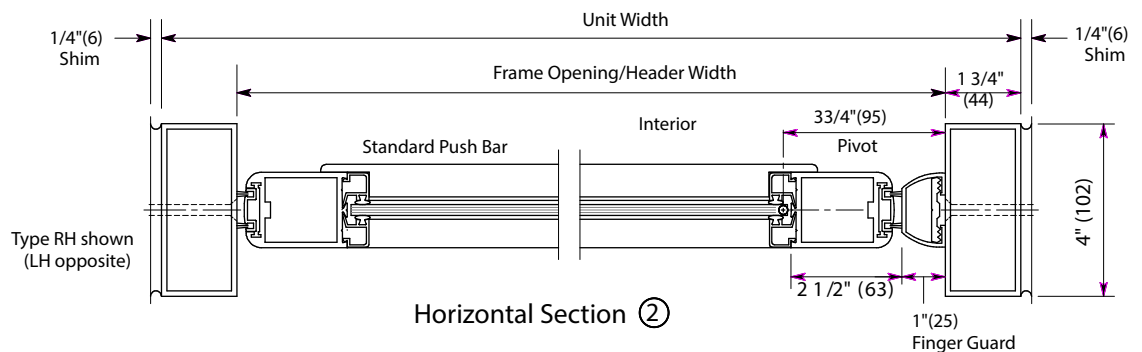
- Door is perimeter mounted within curtainwall or rough opening with 1/4" min. shim space at header & jambs. Finish floor not to exceed 1/4" out of level.
- Electrical: Provide 120 VAC, 60 cycle, single phase, 15 amp service (in conduit) to each swing door unit on a dedicated 20 amp circuit breaker routed into header. Maximum current draw is 3.15 amps.
- Unit to be actuated by push plate or bush button switch mounted on each side of opening for two-way traffic.
- Maximum Security Manual Locks: Exterior keylocks and interior thumb turns located at vertical strike rail.

#### Options

- 21/4" wide muntin bar in lieu of pushbar.
- Additional muntins and/or push bars.
- Transom & sidelites.
- Non-threshold application.
- Custom glass prep up to 1".
- Custom muntins from 1/2" to 10" wide.
- Custom bottom rails up to 10" tall.
- Custom jambs: 13/4" x 6" or 1 3/4" x 4 1/2".
- Custom anodized or paint finish.



Exterior Elevations and Floor Plans



Horizontal Section 2